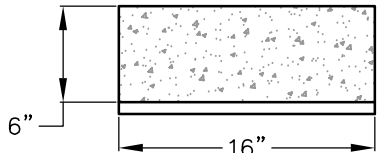
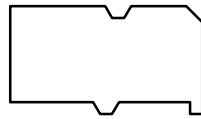


TOP VIEW

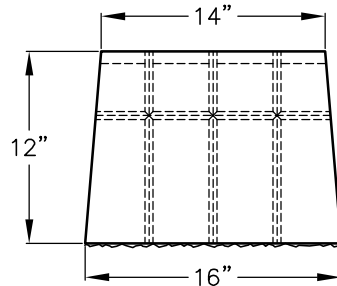


FRONT VIEW

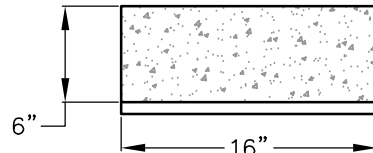


SIDE VIEW

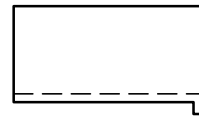
**FIRMA BLOCK DIMENSIONS**



TOP VIEW

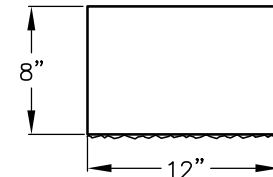


FRONT VIEW

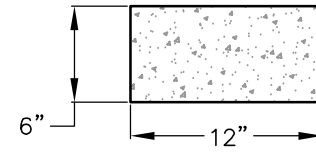


SIDE VIEW

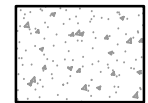
**FIRMA BLOCK DIMENSIONS  
SPLITTABLE UNITS TO MAKE  
CORNERS (5 PER PALLET)**



TOP VIEW

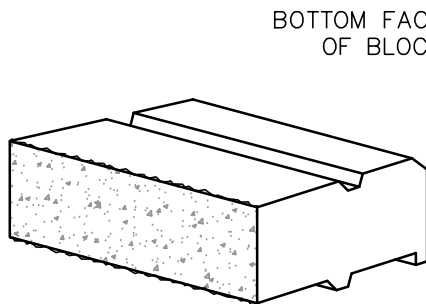


FRONT VIEW



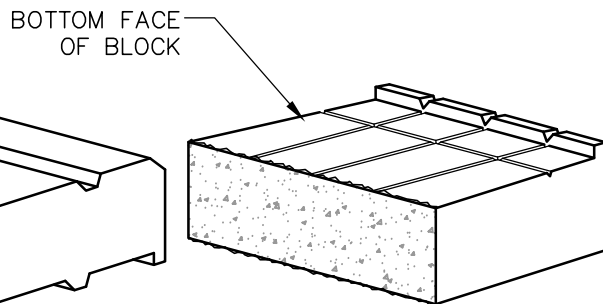
SIDE VIEW

**FIRMA CORNER BLOCK DIMENSIONS  
(SOLD SEPARATELY)**



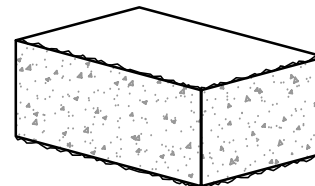
ISOMETRIC VIEW

**FIRMA BLOCK UNIT**



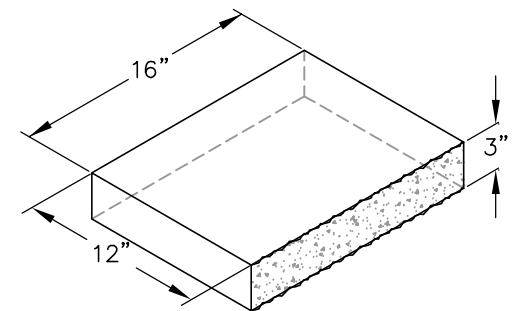
ISOMETRIC VIEW

**FIRMA SPLITTABLE BLOCK UNIT**



ISOMETRIC VIEW

**FIRMA CORNER BLOCK UNIT**



ISOMETRIC VIEW

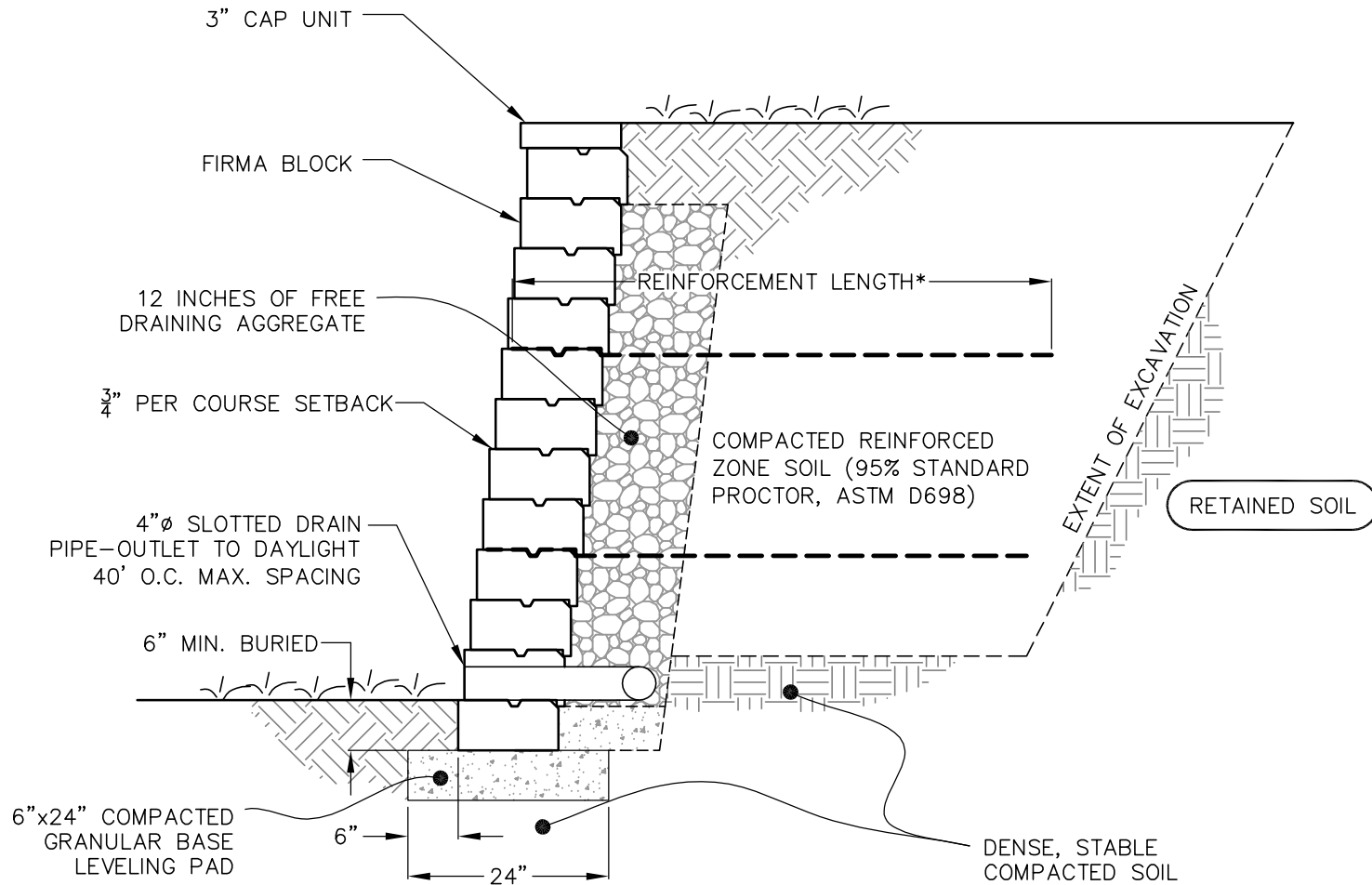
**RECTANGULAR CAP**

**NICOLOCK**  
We're paving a whole new way.

TITLE:  
NICOLOCK FIRMA BLOCK UNITS

SCALE:  
NOT TO SCALE

NOTE: TYPICAL CROSS-SECTION SHOWS ONLY THE RETAINING WALL COMPONENTS AND IS NOT REPRESENTATIVE OF AN ACTUAL DESIGN SECTION. CONSULT A PROFESSIONAL ENGINEER FOR ACTUAL SITE-SPECIFIC DESIGN.

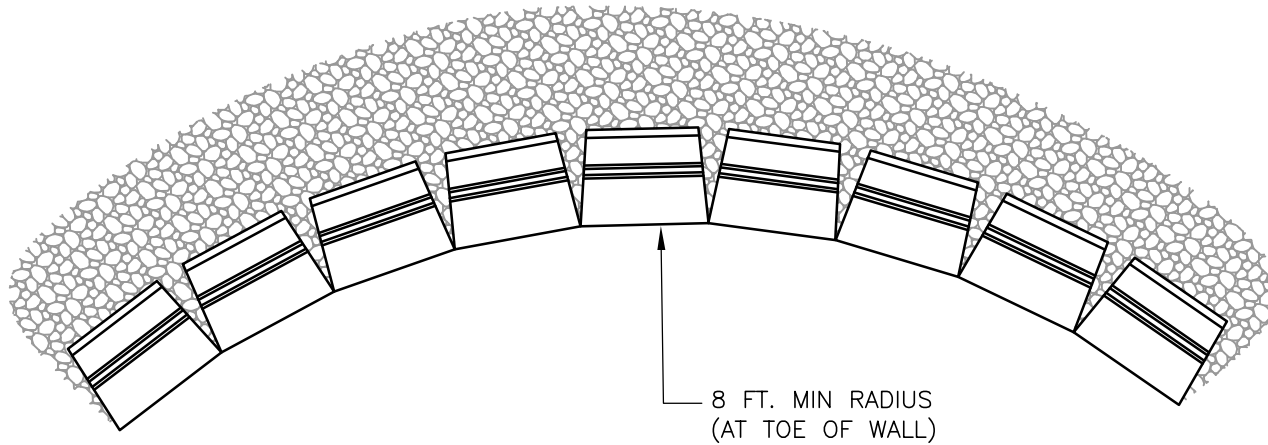


\*NOTE: CONSULT A PROFESSIONAL ENGINEER TO DETERMINE ACTUAL GEOGRID LENGTHS

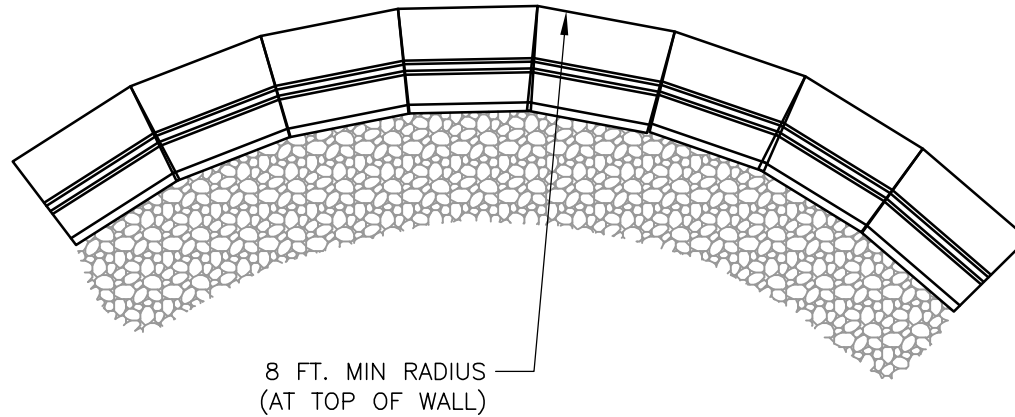
**NICOLOCK**  
 We're paving a whole new way.

TITLE:  
 NICOLOCK FIRMA TYPICAL GEOGRID REINFORCED CROSS-SECTION

SCALE:  
 NOT TO SCALE



**FIRMA INSIDE CURVE**

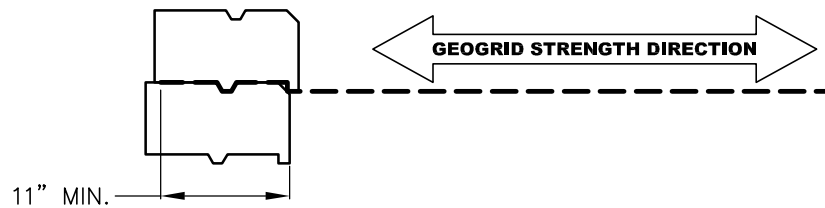
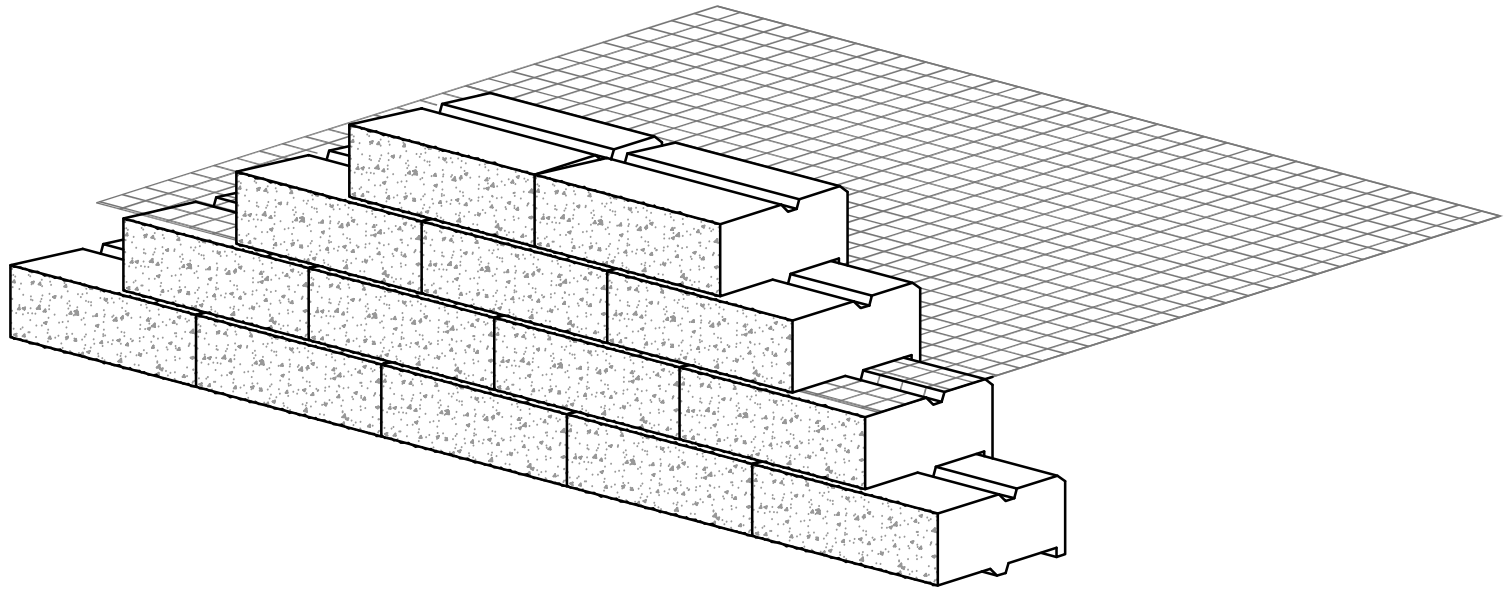


**FIRMA OUTSIDE CURVE**

**NICOLOCK**  
 We're paving a whole new way.

TITLE:  
 NICOLOCK FIRMA BLOCK INSIDE/OUTSIDE RADIUS

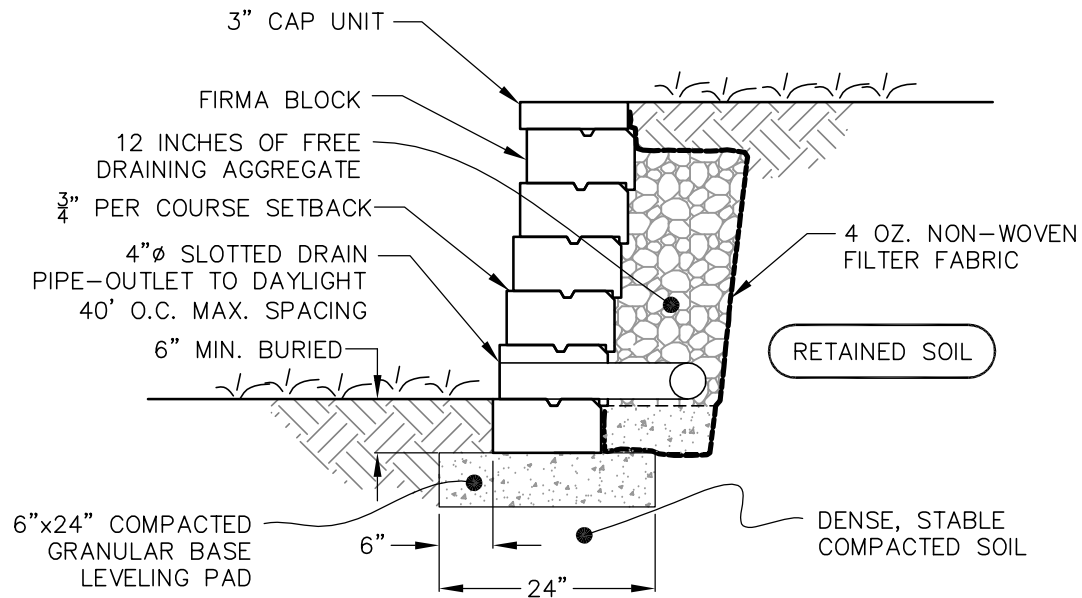
SCALE:  
 NOT TO SCALE



**NICOLOCK**  
We're paving a whole new way.

TITLE:  
NICOLOCK FIRMA GEOGRID TO BLOCK CONNECTION

SCALE:  
NOT TO SCALE

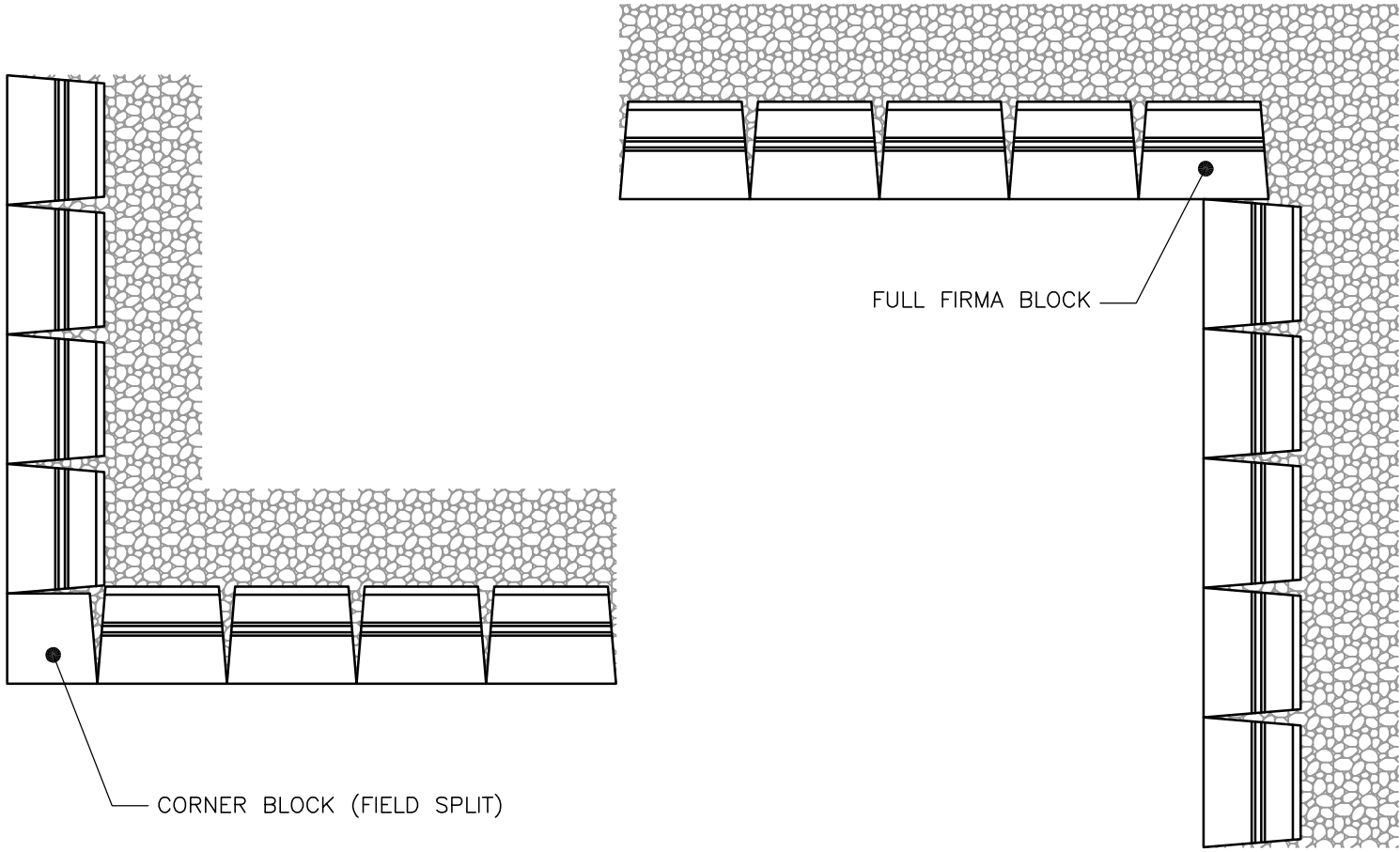


NOTE: MAXIMUM EXPOSED HEIGHT FOR GRAVITY WALLS IS 36" UNDER IDEAL CONDITIONS. SOIL TYPE, CREST SLOPES & SURCHARGES WILL DECREASE MAX. EXPOSED HEIGHT FOR GRAVITY WALLS. CONSULT A PROFESSIONAL ENGINEER TO DETERMINE SITE SPECIFIC CONDITIONS.

**NICOLOCK**  
We're paving a whole new way.

TITLE:  
NICOLOCK FIRMA TYPICAL GRAVITY CROSS-SECTION

SCALE:  
NOT TO SCALE



**FIRMA OUTSIDE CORNER**

**FIRMA INSIDE CORNER**

**NICOLock**  
 We're paving a whole new way.

TITLE:  
 NICOLock FIRMA BLOCK 90° INSIDE & OUTSIDE CORNERS

SCALE:  
 NOT TO SCALE